

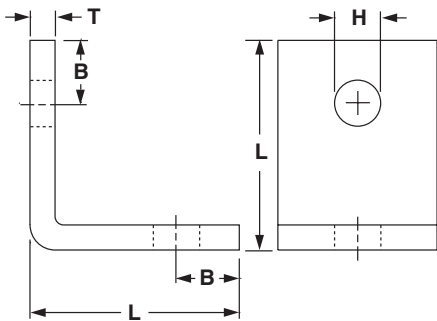
Steel Side Beam Bracket

Product Features

- Size Range: 3/8" and 1/2"
- Material: Carbon steel
- Finish: Plain

Certifications

- Approvals: Complies with Federal Specification A-A-1192A (Type 34), WW-H-171-E (Type 35) and ANSI/MSS SP-69 and MSS SP-58 (Type 34).
UL Listed and FM Approved (steel beam only).



Steel Side Beam Bracket: Loads (LBS) • Weights (LBS) • Dimensions (IN)

Rod Size A	✓ To Submit	Part No. Plain	Max Loads		Weight	L	B	Hole Size H	T
			With Lag Screw	With Bolt to Steel					
3/8"		ML37246	650	1,150	0.44	2 ¹ / ₁₆	5/8	7/16	1/4
1/2"		ML37247	650	1,150	0.43	2 ¹ / ₁₆	5/8	9/16	1/4

Warranty

See warranty information for more details

All dimensions listed are nominal. MAINLINE® reserves the right to make product and material changes at any time without notice.



UL, ULC Listed and FM Approved
(Steel Beam Only)



Threaded Steel Side Beam Bracket

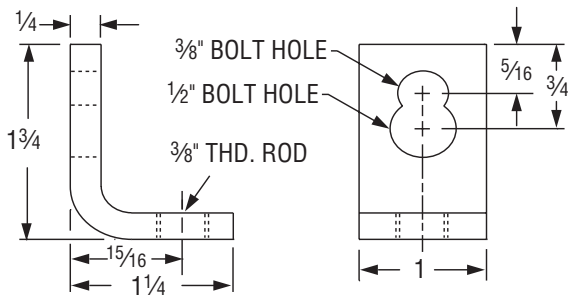
Product Features

- Size: 3/8"
- Material: Carbon steel
- Finish: Plain
- Threaded mounting bracket provides an economical, practical and adjustable means of securing hangers to beams.



Certifications

- Approvals: Complies with Federal Specification A-A-1192A (Type 34), WW-H-171-E (Type 35), ANSI/MSS SP-69 and MSS SP-58 (Type 34).
UL Listed (with rod size 3/8"). FM Approved (with rod size 3/8" & steel beam only)



Threaded Steel Side Beam Bracket: Loads (LBS) • Weights (LBS) • Dimensions (IN)

Rod Size A	✓ To Submit	Part No. Plain	Bolt Size	Max Loads		Weight
				With Lag Screw	With Bolt to Steel	
3/8"		ML37248	3/8"	400	620	0.17
			1/2"	560	620	



(UL Listed with rod size 3/8")

(FM Approved with rod size 3/8" & steel beam only)

Warranty

See warranty information for more details

All dimensions listed are nominal. MAINLINE® reserves the right to make product and material changes at any time without notice.



Iron Side Beam Connector

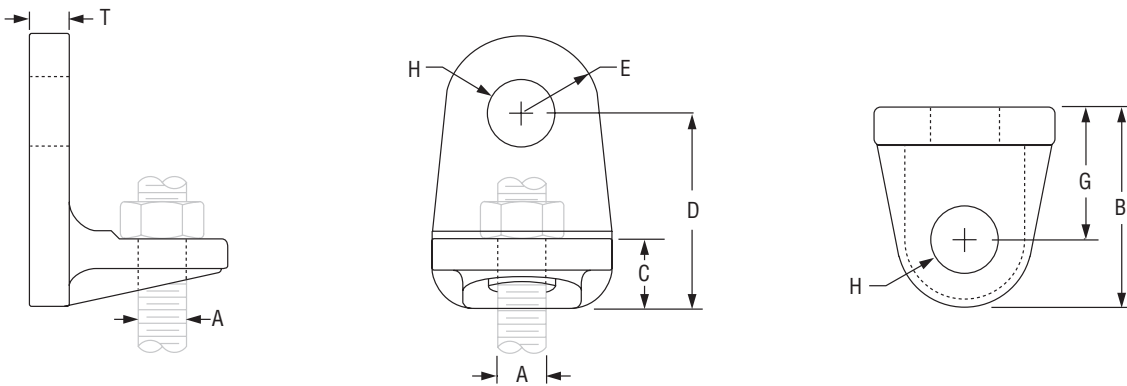
Product Features

- Size: 3/8"
- Material: Malleable iron
- Finish: Plain
- An economical, practical and adjustable means of securing hangers to beams, etc.



Certifications

- Approvals: Complies with Federal Specification A-A-1192A (Type 34) WW-H-171-E (Type 35), ANSI/MSS SP-69 and MSS SP-58 (Type 34).
UL, ULC Listed and FM Approved (Sizes 3/8" for use on wooden and steel beams)



Iron Side Beam Connector: Loads (LBS) • Weights (LBS) • Dimensions (IN)

Rod Size A	✓ To Submit	Part No. Plain	Max Loads ■		Weight	B	C	D	E	Hole Dia. H	G	T
			With Lag Screw	With Bolt to Steel								
3/8"		ML37249	390	730	0.26	1 3/8	5/8	1 7/16	17/32	7/16	7/8	1/4

■ Maximum temperature of 450° F



Warranty

See warranty information for more details

UL, ULC Listed and FM Approved
(Size 3/8" for use on wooden and steel beams)

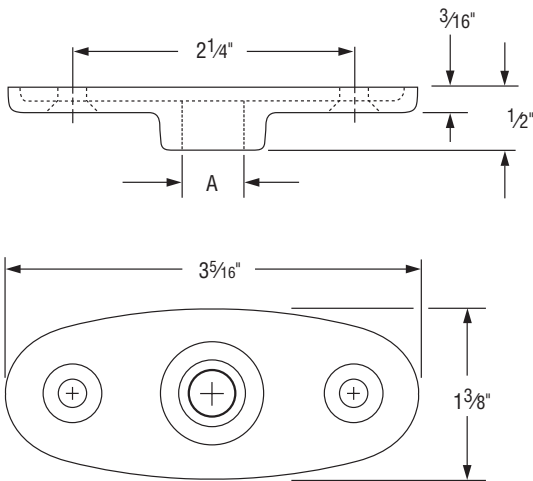
All dimensions listed are nominal. MAINLINE® reserves the right to make product and material changes at any time without notice.



Rod Hanger Ceiling Flange

Product Features

- Size: 3/8"
- Material: Malleable iron
- Finish: Plain or Galvanized



Rod Hanger Ceiling Flange: Loads (LBS) • Weights (LBS) • Dimensions (IN)

Rod Size A	✓ To Submit	Part No. Plain	Part No. Galv.	✓ To Submit	Max Load	Weight	Screws Quantity	Size No.
3/8		ML37250	ML37251		180	0.16	2	12

Warranty

See warranty information for more details

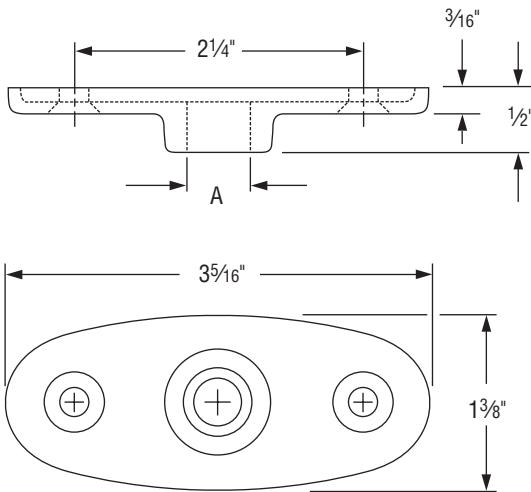
All dimensions listed are nominal. MAINLINE® reserves the right to make product and material changes at any time without notice.



Ceiling Flange - Copper

Product Features

- Size: 3/8"
- Material: Malleable iron
- Finish: Copper plated



Ceiling Flange - Copper: Loads (LBS) • Weights (LBS) • Dimensions (IN)

Rod Size A	✓ To Submit	Part No.	Max Load	Weight	Screws	
					Quantity	Size No.
3/8		ML37252	180	0.16	2	12

Warranty

See warranty information for more details

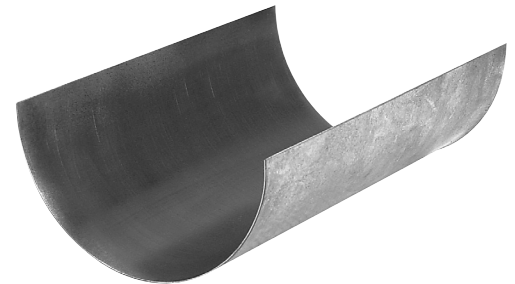
All dimensions listed are nominal. MAINLINE® reserves the right to make product and material changes at any time without notice.



Insulation Shield

Product Features

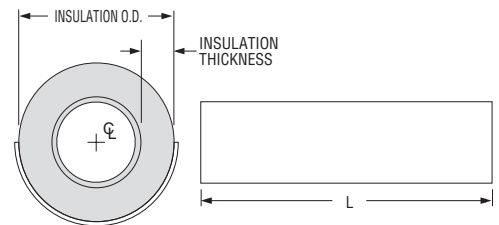
- Size Range: 1/2" through 6" pipe with up to 2" thick insulation and 8" pipe with 1" thick insulation
- Material: Carbon steel
- Finish: Galvanized



Certifications

- Approvals: Complies with Federal Specification A-A-1192A (Type 40), WW-H-171-E (Type 41), ANSI/MSS SP-69 and MSS SP-58 (Type 40).

How to size: Refer to "shield size selection table" on page 2 of 2.



Insulation Shield: Weights (LBS) • Dimensions (IN)

Shield Size	✓ To Submit	Part No. Galv.	Weight	Stock Size	L	Insulation OD	Standard Clevis Hanger
1A		ML37253	0.7	18 Ga.	12	2.38	2
2A		ML37254	0.8	18 Ga.	12	2.88	2 1/2
3A		ML37255	1.0	18 Ga.	12	3.50	3
4A		ML37256	1.1	18 Ga.	12	4.00	3 1/2
5A		ML37257	1.3	18 Ga.	12	4.50	4
6A		ML37258	1.4	18 Ga.	12	5.00	5 ■
7A		ML37259	1.6	18 Ga.	12	5.56	5
8A		ML37260	1.9	16 Ga.	12	6.64	6
9A		ML37261	2.7	16 Ga.	12	7.64	8 ■
10A		ML37262	3.1	16 Ga.	12	8.64	8
10B		ML37264	4.6	16 Ga.	18	8.64	8
11B		ML37265	5.1	16 Ga.	18	9.64	10 ■
12B		ML37266	5.6	16 Ga.	18	10.76	10

■ This shield fits loosely inside a standard clevis hanger. To be used properly, the standard clevis hanger requires a clevis bolt spacer.

Warranty

See warranty information for more details



All dimensions listed are nominal. MAINLINE® reserves the right to make product and material changes at any time without notice.



Insulation Shield

Shield Size Selection for Nominal Pipe Size

Pipe Size	Insulation Thickness				
	1/2"	3/4"	1"	1 1/2"	2"
1/2"	1A	1A	–	–	–
3/4"	1A	2A	3A	4A	6A
1"	1A	2A	3A	5A	7A
1 1/4"	2A	3A	4A	6A	7A
1 1/2"	2A	3A	4A	6A	8A
2"	3A	4A	5A	7A	8A
2 1/2"	4A	5A	6A	8A	9A
3"	5A	6A	7A	8A	9A
3 1/2"	–	–	8A	9A	10A
4"	–	–	8A	9A	10A
5"	–	–	–	10B	11B
6"	–	–	10B	11B	12B
8"	–	–	12B	–	–

Shield Size Selection for Copper Tubing

Tube Size	Insulation Thickness				
	1/2"	3/4"	1"	1 1/2"	2"
3/8"	–	1A	2A	3A	5A
1/2", 5/8", 3/4"	–	1A	2A	4A	6A
1", 1 1/4"	1A	2A	3A	5A	7A
1 1/2"	2A	3A	4A	6A	8A
2"	3A	4A	5A	7A	8A
2 1/2"	4A	5A	6A	8A	8A
3"	5A	6A	7A	8A	9A
3 1/2"	6A	7A	8A	8A	9A
4"	7A	8A	8A	9A	10A
5"	8A	8A	9A	10A	11B
6"	9A	9A	10A	11B	12B
8"	11B	11B	12B	–	–

Note: As actual foam or fiber glass insulation thicknesses vary, verify that the radius of the selected shield is suitable for the required application. Shields are designed for a maximum span of ten feet on 15 P.S.I. compressive strength insulation. For compressive strengths greater than 15 P.S.I., spans may be increased proportionately up to maximum allowable for steel pipe. Refer to MSS-SP-69 for specific guidelines on compressive strength and maximum span.

All dimensions listed are nominal. MAINLINE® reserves the right to make product and material changes at any time without notice.



Beam Clamp Retaining Strap

Product Features

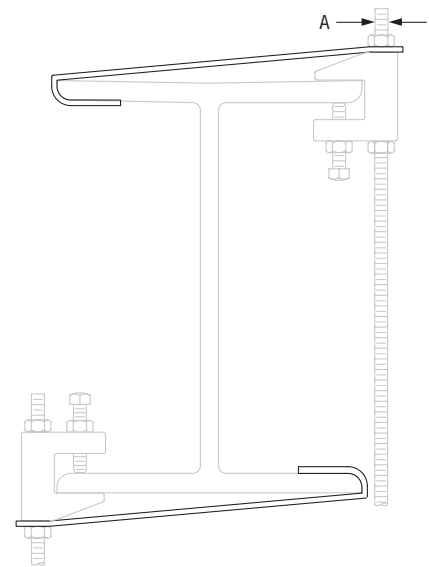
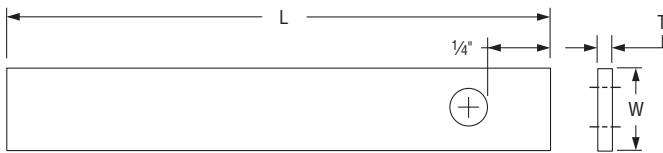
- Size: 3/8"
- Material: Carbon steel
- Finish: Plain



Certifications

- Approvals: Complies with MSS-SP-127.

Caution: Length of strap should be adequate to allow at least 1" of strap to be bent over the beam side of the flange opposite the side the beam clamp is mounted on.



Beam Clamp Retaining Strap: Loads (LBS) • Weights (LBS) • Dimensions (IN)

Rod Size A	✓ To Submit	Part No.	Weight	Width W	T	Length L
3/8"		ML37267	0.24	1	0.058	14

Warranty

See warranty information for more details

All dimensions listed are nominal. MAINLINE® reserves the right to make product and material changes at any time without notice.



Weldless Eye Nut

Product Features

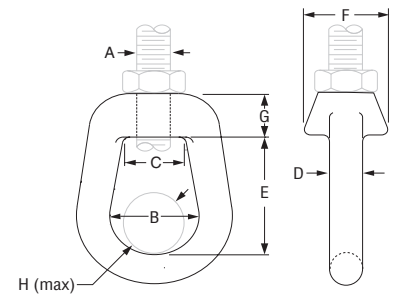
- Size: 7/8"
- Material: Forged steel
- Finish: Galvanized
- Supports loads equal to the full limitation of the hanger rod.
- Provides flexible connection when used with straight thread rod.



Certifications

- Approvals: Complies with Federal Specification A-A-1192A (Type 17), WW-H-171-E (Type 17), ANSI/MSS SP-69 and MSS SP-58 (Type 17).

Caution: The acceptability of galvanized coatings at temperatures above 450°F is at the discretion of the end user.



Weldless Eye Nut: Loads (LBS) • Weights (LBS) • Dimensions (IN)

Rod Size A	✓ To Submit	Part No. Galv.	Max Loads		Weight	B	C	D	E	F	G	H	Eye Nut Number
			650° F	750° F									
7/8"		ML37289	4,480	3,508	1.70	2	1 ¹¹ / ₁₆	3/4	2 ⁵ / ₈	1 ¹⁵ / ₁₆	1	1 ³ / ₄	2

Warranty

See warranty information for more details

All dimensions listed are nominal. MAINLINE® reserves the right to make product and material changes at any time without notice.



Standard U-Bolt

Product Features

- Size Range: 2" through 12"
- Material: Carbon steel U-bolt and four finished hex nuts
- Finish: Plain or Galvanized

Certifications

- Approvals: Complies with Federal Specification A-A-1192A (Type 24), WW-H-171-E (Type 24), ANSI/MSS SP-69 and MSS SP-58 (Type 24).

Caution: The acceptability of galvanized coatings at temperatures above 450°F is at the discretion of the end user.

Note: When the combination of a normal load and a side load occurs, a straight line interaction formula may be used to determine if the Standard U-Bolt is still within the allowable stress range: $P_n/P_{na} + P_s/P_{sa} \leq 1$

Where:

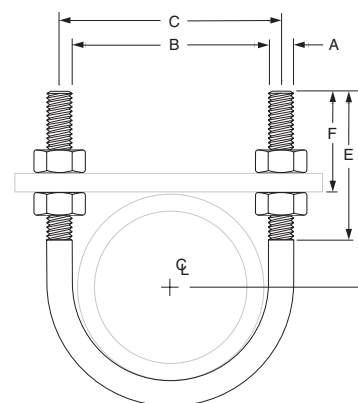
P_n = actual applied normal load;

P_{na} = allowable normal load for the Standard U-Bolt;

P_s = actual applied side load;

P_{sa} = allowable side load for the Standard U-Bolt

Nuts must be snug tight in installation to achieve side loads shown.



Standard U-Bolt: Loads (LBS) • Weights (LBS) • Dimensions (IN)

Pipe Size	Rod Size A	✓ To Submit	Part No. Plain	Part No. Galv.	✓ To Submit	Max Normal Load		650° F Max Side Load	Wt.	B	C	D	E	F
						650° F	750° F							
2"	3/8"		ML37297	ML37290		1,460	1,144	365	0.33	27/16	213/16	31/4	21/2	21/16
3"	1/2"		ML37298	ML37291		2,700	2,114	675	0.78	39/16	41/16	4	3	21/4
4"	1/2"		ML37299	ML37292		2,700	2,114	675	0.90	49/16	51/16	41/2	3	21/4
6"	5/8"		ML37300	ML37293		4,320	3,382	1,080	2.0	63/4	73/8	61/8	33/4	213/16
8"	5/8"		ML37301	ML37294		4,320	3,382	1,080	2.3	83/4	93/8	71/8	33/4	213/16
10"	3/4"		ML37302	ML37295		6,460	5,060	1,615	4.9	107/8	115/8	83/8	4	3
12"	7/8"		ML37303	ML37296		9,960	7,016	2,490	7.7	127/8	133/4	95/8	4	31/4

Warranty

See warranty information for more details



All dimensions listed are nominal. MAINLINE® reserves the right to make product and material changes at any time without notice.

