

70 X 40 Drop-In Oval Acrylic Tub

Product Features

- 21-1/2" Depth
- Durable Worry-Free Acrylic Construction
- Whirlpool Option Available with 5 Color Matched Jets
- Right Hand or Left Hand Drain Locations
- Available in White, Biscuit or Bone

Technical Specifications

- Dimensions: 69-1/2"(L) x 41-3/4"(W) x 21-1/2"(D)
- Capacity To Overflow: 65 Gallon
- Filled Weight: 635 Lbs.
- Shipping Weight: 115 Lbs.
- Bottom Sump Dimension: 48"(L) X 27"(W)
- Pump: 5.9 AMPS
- Electrical: 120 VAC, 15AMP, 60Hz;
requires a dedicated GFCI protected
separate circuit

Electrical Specifications do not apply to non-whirlpool tubs.
Measurements may vary +/- 1/4"

Certifications

- ANSI Z124.1 or Z124.2



Warranty

3Year Limited Warranty. See warranty information for more details.

All dimensions listed are nominal. MAINLINE[®] reserves the right to make product and material changes at any time without notice.



Contact your sales representative for more information or visit our website at mainlinecollection.com

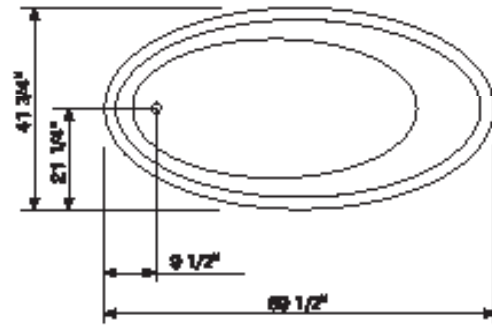
70 X 40 Drop-In Oval Acrylic Tub

SOAKERTUB

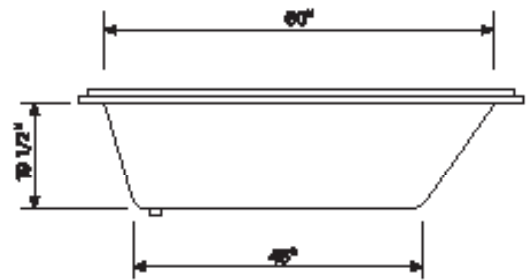
✓ To Submit	Part No.	Drain	Color
	MLS10325	N/A	White
	MLS10326	N/A	Biscuit
	MLS10327	N/A	Bone

WHIRLPOOL

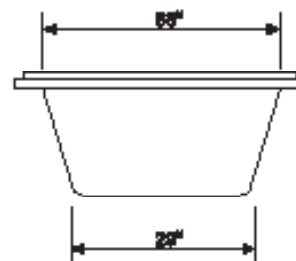
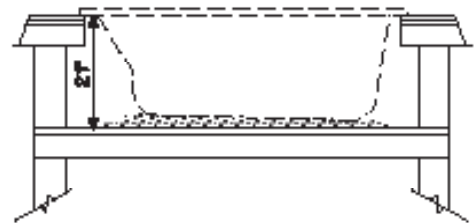
✓ To Submit	Part No.	Drain	Color
	MLS10388	Right Hand	White
	MLS10389	Left Hand	White
	MLS10390	Right Hand	Biscuit
	MLS10391	Left Hand	Biscuit
	MLS10392	Right Hand	Bone
	MLS10393	Left Hand	Bone



TOP VIEW



FRONT VIEW



SIDE VIEW

All dimensions listed are nominal. MAINLINE® reserves the right to make product and material changes at any time without notice.

Contact your sales representative for more information or visit our website at mainlinecollection.com