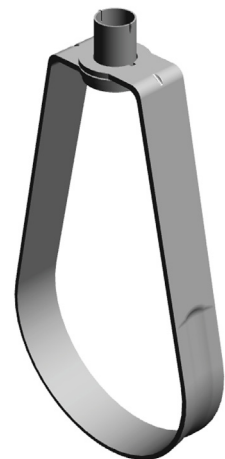


Band Hanger SF Series

Product Features

- Size Range: ½" through 8"
- Material: Carbon steel
- Finish: Galvanized
- Maximum Temperature: 650° F
- Threads are countersunk so that they cannot become burred or damaged.
- Knurled swivel nut provides vertical adjustment after piping is in place.
- Captured swivel nut in the ½" through 6" sizes. The capture is permanent in the bottom portion of the band, allowing the hanger to be opened during installation if desired, but not allowing the nut to fall completely out.



Certifications

- Approvals: Complies with Federal Specification A-A-1192A (Type 10) and MSS SP-69 (Type 10).
UL Listed (½" - 8") and FM Approved (Sizes ¾" - 8").

Caution: The acceptability of galvanized coatings at temperatures above 450°F is at the discretion of the end user.

Warranty

See warranty information for more details

All dimensions listed are nominal. MAINLINE® reserves the right to make product and material changes at any time without notice.

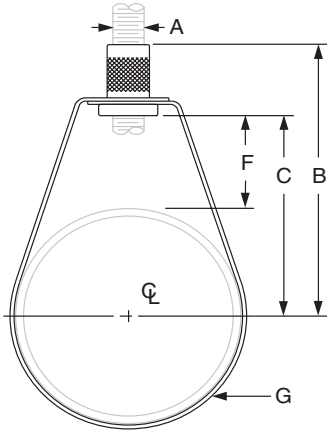


UL Listed (¾" through 8")

FM Approved (¾" through 8")



Band Hanger SF Series



Band Hanger: Loads (LBS) • Weights (LBS) • Dimensions (IN)

| Pipe Size | ✓ To Submit | Part No. | Max Load | Weight | A Rod Size | B | C | F | G Width |
|-----------|-------------|----------|----------|--------|------------|---------------------------------|---------------------------------|--------------------------------|---------|
| 1/2" | | ML36857 | 300 | 0.10 | 3/8 | 2 ⁷ / ₁₆ | 1 ⁷ / ₁₆ | 1 ¹ / ₁₆ | 5/8 |
| 3/4" | | ML36858 | 300 | 0.10 | 3/8 | 2 ¹¹ / ₁₆ | 1 ¹¹ / ₁₆ | 1 ¹ / ₈ | 5/8 |
| 1" | | ML36859 | 300 | 0.10 | 3/8 | 2 ¹³ / ₁₆ | 1 ¹³ / ₁₆ | 1 ¹ / ₈ | 5/8 |
| 1 1/4" | | ML36861 | 300 | 0.11 | 3/8 | 2 ⁷ / ₈ | 1 ⁷ / ₈ | 1 ¹ / ₁₆ | 5/8 |
| 1 1/2" | | ML36862 | 300 | 0.11 | 3/8 | 3 | 2 | 1 ¹ / ₁₆ | 5/8 |
| 2" | | ML36863 | 300 | 0.14 | 3/8 | 3 ³ / ₁₆ | 2 ³ / ₁₆ | 1 ¹ / ₁₆ | 5/8 |
| 2 1/2" | | ML36864 | 300 | 0.19 | 3/8 | 4 ⁹ / ₁₆ | 3 ⁵ / ₁₆ | 1 ⁷ / ₈ | 7/8 |
| 3" | | ML36865 | 1,000 | 0.23 | 3/8 | 5 | 3 ³ / ₄ | 2 | 7/8 |
| 3" | | ML36866 | 1,000 | 0.23 | 1/2 | 5 | 3 ³ / ₄ | 2 | 7/8 |
| 4" | | ML36867 | 1,000 | 0.30 | 3/8 | 6 | 4 ¹¹ / ₁₆ | 2 ³ / ₈ | 7/8 |
| 4" | | ML36868 | 1,000 | 0.30 | 1/2 | 6 | 4 ¹¹ / ₁₆ | 2 ³ / ₈ | 7/8 |
| 5" | | ML36869 | 1,000 | 0.50 | 1/2 | 6 ¹ / ₂ | 5 ¹ / ₄ | 2 ⁷ / ₁₆ | 3/4 |
| 6" | | ML36870 | 1,000 | 0.58 | 1/2 | 7 ³ / ₄ | 6 ³ / ₁₆ | 2 ⁷ / ₈ | 3/4 |
| 8" | | ML36871 | 1,000 | 0.90 | 1/2 | 9 ⁵ / ₁₆ | 7 ¹¹ / ₁₆ | 3 ³ / ₈ | 7/8 |

All dimensions listed are nominal. MAINLINE® reserves the right to make product and material changes at any time without notice.



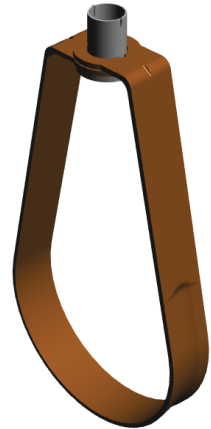
Band Hanger – Copper SF Series

Product Features

- Size Range: ½" through 4"
- Material: Carbon steel
- Finish: Copper-colored Epoxy
- A keyed insert nut to ensure that the loop hanger and insert nut stay together
- Insert nut can be removed if required

Certifications

- Approvals: Complies with Federal Specification A-A-1192A (Type 10)
MSS SP-69 (Type 10).



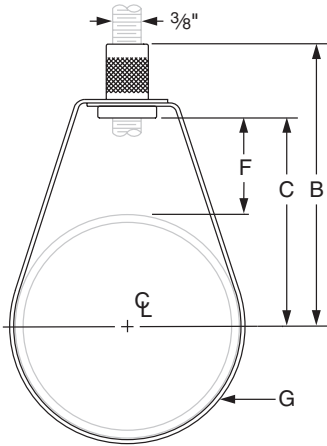
Warranty

See warranty information for more details

All dimensions listed are nominal. MAINLINE® reserves the right to make product and material changes at any time without notice.



Band Hanger - Copper SF Series



Band Hanger - Copper: Loads (LBS) • Weights (LBS) • Dimensions (IN)

| Tube Size | ✓ To Submit | Part No. | Max Load | Weight | B | C | F | G Width |
|-----------|-------------|----------|----------|--------|---------------------------------|---------------------------------|---------------------------------|---------|
| 1/2" | | ML36882 | 180 | 0.11 | 2 ⁷ / ₁₆ | 2 | 1 ¹¹ / ₁₆ | 5/8 |
| 3/4" | | ML36883 | 180 | 0.11 | 2 ¹¹ / ₁₆ | 1 ¹³ / ₁₆ | 1 ³ / ₈ | 5/8 |
| 1" | | ML36884 | 180 | 0.12 | 2 ⁹ / ₁₆ | 1 ¹¹ / ₁₆ | 1 ¹ / ₈ | 5/8 |
| 1 1/4" | | ML36885 | 180 | 0.13 | 2 1/2 | 1 ⁵ / ₈ | 1 ⁵ / ₁₆ | 5/8 |
| 1 1/2" | | ML36887 | 180 | 0.14 | 2 ¹³ / ₁₆ | 1 ¹⁵ / ₁₆ | 1 ¹ / ₈ | 5/8 |
| 2" | | ML36888 | 180 | 0.16 | 2 ³ / ₄ | 1 ⁷ / ₈ | 7/8 | 5/8 |
| 2 1/2" | | ML36889 | 200 | 0.33 | 3 ¹ / ₈ | 2 ¹ / ₄ | 1 ⁵ / ₁₆ | 7/8 |
| 3" | | ML36890 | 250 | 0.35 | 4 ¹ / ₈ | 3 ¹ / ₄ | 1 ¹¹ / ₁₆ | 7/8 |
| 4" | | ML36891 | 360 | 0.52 | 5 ¹ / ₁₆ | 4 ³ / ₁₆ | 2 ¹ / ₈ | 7/8 |

All dimensions listed are nominal. MAINLINE® reserves the right to make product and material changes at any time without notice.



Felt Lined Band Hanger SF Series

Product Features

- Size Range: ½" through 4" copper tube
- Material: Carbon steel
- Finish: Galvanized
- Maximum Temperature: 120° F
- Recommended for the suspension of non-insulated stationary copper tubing. The layer of felt separates the copper tubing from the steel hanger for electrolytic resistance and also minimizes noise and vibration.
- Threads are countersunk so that they cannot become burred or damaged.
- Knurled swivel nut provides vertical adjustment after piping is in place.
- The captured swivel nut is permanent in the bottom portion of the band, allowing the hanger to be opened during installation if desired, but not allowing the nut to fall completely out.



Certifications

- Approvals: Complies with Federal Specification A-A-1192A (Type 10) WW-H-171-E (Type 10), ANSI/MSS SP-69 and MSS SP-58 (Type 10).

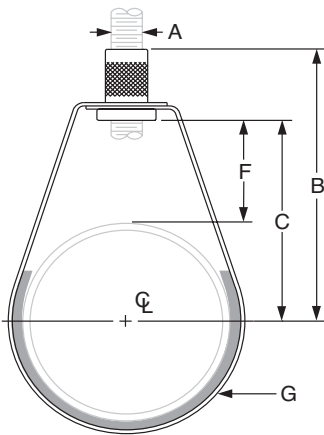
Warranty

See warranty information for more details

All dimensions listed are nominal. MAINLINE® reserves the right to make product and material changes at any time without notice.



Felt Lined Band Hanger SF Series



Felt Lined Band Hanger: IPS Sizing • Dimensions (IN)

| Pipe Size | Felted Hanger Size |
|-----------|--------------------|
| 1/2" | 3/4 |
| 3/4" | 1 |
| 1" | 1 1/4 |
| 1 1/4" | 2 |
| 1 1/2" | 2 |
| 2" | 2 1/2 |
| 2 1/2" | 3 |
| 3" | 4 |

Felt Lined Band Hanger: Loads (LBS) • Weights (LBS) • Dimensions (IN)

| Tube Size | Felted Hanger Size | To Submit | Part No. | Max Load | Weight | A Rod Size | B | C | F | G Width |
|-----------|--------------------|-----------|----------|----------|--------|------------|---------------------------------|---------------------------------|--------------------------------|---------|
| 1/2" | 3/4" | | ML36872 | 300 | 0.10 | 3/8 | 2 ¹³ / ₁₆ | 1 ¹³ / ₁₆ | 1 ⁹ / ₁₆ | 5/8 |
| 3/4" | 1" | | ML36873 | 300 | 0.10 | 3/8 | 2 ⁵ / ₈ | 2 ¹ / ₁₆ | 1 ⁵ / ₁₆ | 5/8 |
| 1" | 1 1/4" | | ML36874 | 300 | 0.10 | 3/8 | 2 ⁷ / ₈ | 2 ¹ / ₁₆ | 1 ⁵ / ₁₆ | 5/8 |
| 1 1/4" | 2" | | ML36876 | 300 | 0.10 | 3/8 | 2 ³ / ₄ | 1 ⁷ / ₈ | 1 ¹ / ₁₆ | 5/8 |
| 1 1/2" | 2" | | ML36877 | 300 | 0.10 | 3/8 | 2 ⁷ / ₈ | 2 | 1 ¹ / ₁₆ | 5/8 |
| 2" | 2 1/2" | | ML36878 | 300 | 0.11 | 3/8 | 3 ⁵ / ₁₆ | 2 ⁷ / ₁₆ | 1 ¹ / ₄ | 5/8 |
| 2 1/2" | 3" | | ML36879 | 525 | 0.20 | 3/8 | 3 ¹¹ / ₁₆ | 2 ¹³ / ₁₆ | 1 ³ / ₈ | 3/4 |
| 3" | 4" | | ML36880 | 525 | 0.20 | 3/8 | 3 ⁷ / ₈ | 3 | 1 ⁵ / ₁₆ | 3/4 |
| 4" | 4" | | ML36881 | 650 | 0.30 | 3/8 | 4 ¹³ / ₁₆ | 4 | 1 ³ / ₄ | 3/4 |

All dimensions listed are nominal. MAINLINE® reserves the right to make product and material changes at any time without notice.

