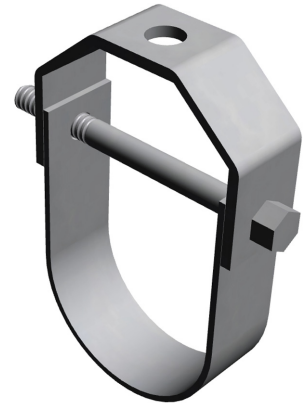


Standard Clevis Hanger SF Series

Product Features

- Size Range: ½" through 16"
- Material: Carbon steel
- Finish: Plain or Galvanized
- Maximum Temperature: Plain 650° F, Galvanized 450° F
- Vertical adjustment without removing pipe may be made from ⅝" through 2 ¾", varying with the size of clevis. Tighten upper nut after adjustment.
- Design has yoke on outside of lower U-strap so yoke cannot slide toward center of bolt, thus bending of bolt is minimized.
- Sizes 5" and up have rod and two nuts instead of bolt and nut; thread length on clevis rod is such that the thread locks the nuts in place, and threads are not in shear plane.



Certifications

- Approvals: Complies with Federal Specification A-A-1192A (Type 1), WW-H-171-E (Type 1), ANSI/MSS SP-69 and MSS SP-58 (Type 1). UL, ULC Listed and FM Approved (Sizes 2 ½ through 8").

Caution: Hanger load nut above clevis must be tightened securely to assure proper hanger performance. When an oversize clevis is used, a pipe spacer or multispace should be placed over clevis bolt to ensure that the lower U-strap will not move in on the bolt.



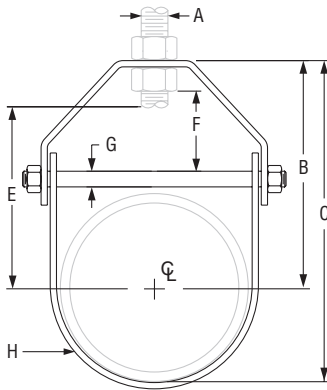
Warranty

See warranty information for more details

All dimensions listed are nominal. MAINLINE® reserves the right to make product and material changes at any time without notice.



Standard Clevis Hanger SF Series



Standard Clevis Hanger: Loads (LBS) • Weights (LBS) • Dimensions (IN)

Size	✓ To Submit	Part No. Plain	Part No. Galv.	✓ To Submit	Max Load	Weight	A Rod Size	B	C	E Rod Take Out	F Adjustment	G	H Width Lower
1/2"		ML36792	ML36810		610	0.34	3/8	1 5/8	2 1/8	1 1/2	5/8	1/4	1
3/4"		ML36793	ML36811		610	0.34	3/8	1 3/4	2 3/8	1 5/16	5/8	1/4	1
1"		ML36795	ML36813		610	0.35	3/8	2 1/16	2 3/4	1 5/8	5/8	1/4	3/4
1 1/4"		ML36796	ML36814		610	0.40	3/8	2 3/8	3 5/16	1 11/16	5/8	1/4	1
1 1/2"		ML36797	ML36815		610	0.45	3/8	2 15/16	3 15/16	2 1/8	7/8	1/4	1
2"		ML36798	ML36816		610	0.50	3/8	3 1/4	4 1/2	2 5/8	1 1/8	1/4	1
2 1/2"		ML36799	ML36817		1,130	0.65	1/2	3 3/4	5 1/4	3 3/16	1 5/16	3/8	1
3"		ML36800	ML36818		1,130	0.85	1/2	4 1/8	6	4 1/16	1 5/8	3/8	1
3 1/2"		ML36801	ML36819		1,130	1.10	1/2	4 7/16	6 1/2	4 3/16	1 13/16	3/8	1 1/4
4"		ML36802	ML36820		1,130	1.51	5/8	5 3/8	7 3/4	4 1/2	1 11/16	3/8	1 1/4
5"		ML36803	ML36821		1,430	1.70	5/8	6 13/16	9 3/4	5 1/2	1 15/16	3/8	1 3/16
6"		ML36804	ML36822		1,940	3.10	3/4	8 1/4	11 3/4	5 3/4	1 11/16	1/2	1 7/16
8"		ML36805	ML36823		2,000	4.75	3/4	9 1/2	14	7 3/16	2	1/2	1 7/16
10"		ML36806	ML36824		3,600	8.60	7/8	10 7/8	16 1/2	8 7/16	2 1/8	5/8	1 3/4
12"		ML36807	ML36825		3,800	11.20	7/8	12	18 5/8	10 1/8	2 13/16	5/8	2
14"		ML36808	ML36826		4,200	12.50	1	14 1/2	21 3/4	10 11/16	2 11/16	3/4	2
16"		ML36809	ML36827		4,600	19.85	1	15 3/4	24	12	2 3/4	1	2 1/2

All dimensions listed are nominal. MAINLINE® reserves the right to make product and material changes at any time without notice.



Light Duty Clevis Hanger SF Series

Product Features

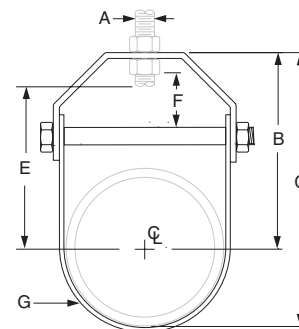
- Size Range: 1/2" through 4"
- Material: Carbon steel
- Finish: Plain or Galvanized
- Maximum Temperature: Plain 650° F, Galvanized 450° F
- Vertical adjustment is provided, varying with the size of clevis. Tighten upper nut after adjustment.
- An economical attachment for light duty service.



Certifications

- Approvals: Complies with Federal Specification WW-H-171 (Type 1), Manufacturers Standardization Society (MSS) SP-69 (Type 1) UL Listed (Sizes 2" thru 4")

Caution: Hanger load nut above clevis must be tightened securely to assure proper hanger performance. When an oversize clevis is used, a pipe spacer or multispace should be placed over clevis bolt to ensure that the lower U-strap will not move in on the bolt.



Light Duty Clevis Hanger: Loads (LBS) • Weights (LBS) • Dimensions (IN)

Size	✓ To Submit	Part No. Plain	Part No. Galv.	✓ To Submit	Max Load	Weight	A Rod Size	B	C	E Rod Take Out	F Adjustment	G Width Lower
1/2"		ML36828	ML36838		200	0.17	3/8	1 5/8	2 1/8	1 1/2	5/8	1/4
3/4"		ML36829	ML36839		200	0.22	3/8	1 3/4	2 3/8	1 5/16	5/8	1/4
1"		ML36830	ML36840		300	0.22	3/8	2 1/16	2 3/4	1 5/8	5/8	1/4
1 1/4"		ML36831	ML36841		300	0.29	3/8	2 3/8	3 5/16	1 11/16	5/8	1/4
1 1/2"		ML36832	ML36842		300	0.30	3/8	2 15/16	3 5/16	2 1/8	7/8	1/4
2"		ML36833	ML36843		300	0.34	3/8	3 1/4	4 1/2	2 5/8	1 1/8	1/4
2 1/2"		ML36834	ML36844		400	0.68	1/2	3 3/4	5 1/4	3 3/16	1 5/16	3/8
3"		ML36835	ML36845		400	0.72	1/2	4 1/8	6	4 1/16	1 5/8	3/8
3 1/2"		ML36836	ML36846		450	0.80	1/2	4 7/16	6 1/2	4 3/16	1 3/4	3/8
4"		ML36837	ML36847		550	0.97	5/8	5 3/8	7 3/4	4 1/2	1 11/16	3/8

Warranty

See warranty information for more details

All dimensions listed are nominal. MAINLINE® reserves the right to make product and material changes at any time without notice.



Light Duty Clevis Hanger - Copper SF Series

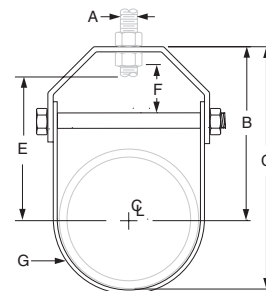
Product Features

- Size Range: 1/2" through 4"
- Material: Carbon steel
- Finish: Copper-colored Epoxy
- Installation: Adjustment may be made either before or after tubing is in place without temporary support of pipe. Hanger rod and nuts may be locked into position after adjustment by use of the upper nut.
- Provides for adjustment up to 1 7/8".



Certifications

- Approvals: Complies with Federal Specification WW-H-171-E (Type 12).



Light Duty Clevis Hanger - Copper: Loads (LBS) • Weights (LBS) • Dimensions (IN)

Tube Size	✓ To Submit	Part No.	Max Load	Weight	A Rod Size	B	C	E Rod Take Out	F Adjustment
1/2"		ML36848	150	0.09	3/8	1 ¹⁵ / ₁₆	2 ¹ / ₄	1 ¹ / ₈	3/8
3/4"		ML36849	150	0.10	3/8	1 ¹ / ₂	1 ¹⁵ / ₁₆	1 ¹ / ₈	7/16
1"		ML36850	250	0.17	3/8	1 ³ / ₄	2 ⁵ / ₁₆	1 ⁵ / ₁₆	9/16
1 ¹ / ₄ "		ML36851	250	0.18	3/8	2 ¹ / ₁₆	2 ³ / ₄	1 ⁹ / ₁₆	9/16
1 ¹ / ₂ "		ML36852	250	0.21	3/8	2 ⁷ / ₁₆	3 ⁵ / ₁₆	2 ¹ / ₁₆	1 ⁵ / ₁₆
2"		ML36853	250	0.26	3/8	3 ⁷ / ₁₆	4 ¹ / ₂	3 ³ / ₈	1 ³ / ₄
2 ¹ / ₂ "		ML36854	350	0.48	3/8	4 ¹ / ₂	5 ¹¹ / ₁₆	3 ¹⁵ / ₁₆	2 ¹ / ₈
3"		ML36855	350	0.55	3/8	3 ⁵ / ₈	5 ³ / ₁₆	4	2 ¹ / ₁₆
4"		ML36856	400	0.60	3/8	3 ⁵ / ₁₆	7 ³ / ₈	4 ³ / ₈	2 ¹ / ₈

Warranty

See warranty information for more details

All dimensions listed are nominal. MAINLINE® reserves the right to make product and material changes at any time without notice.

