

High Efficiency Round Two-Piece Toilet

Product Features

- Vitreous China
- Comfortable Height of 15-1/2"
- 2" Fully Glazed Trapway
- Siphon Jet Action Flushing
- 1.28 GPF High Performance Flushing
- 12" Rough-In
- Tank Equipped with Fluidmaster™ 400A Ballcock
- White Only

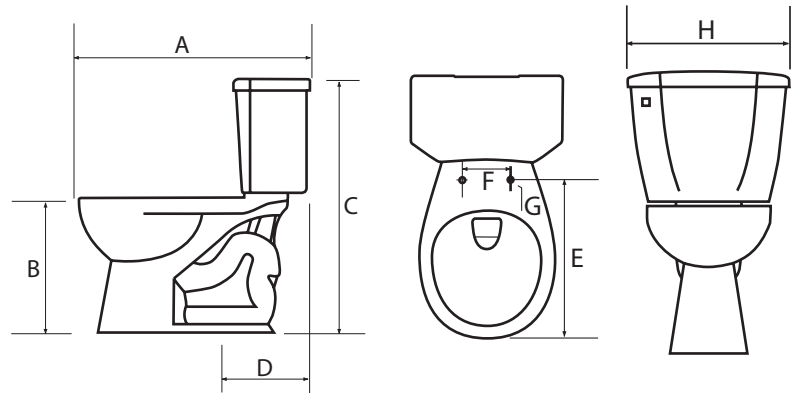


Certifications

- ASME A112.19.2
- CSA B45.0
- ADA ANSI A117.1

Warranty

- One Year Limited Warranty
- See Official Warranty Information for Additional Details




Bowl	Tank	Bowl Weight	Comments	Tank Weight	A	B	C	D	E	F	G	H
SE10415	SE10039	48.3 lbs.	Left Hand Flush	28.4 lbs.	27-3/4"	15-1/2"	29-1/8"	11-1/2"	16-3/8"	5-1/2"	5/8"	17-1/8"
		21.9 kgs.	Left Hand Flush	12.9 kgs.	705 mm	394 mm	756 mm	291 mm	415 mm	140mm	15 mm	434 mm
SE10415	SE10417	48.3 lbs.	Right Hand Flush	28.4 lbs.	27-3/4"	15-1/2"	29-1/8"	11-1/2"	16-3/8"	5-1/2"	5/8"	17-1/8"
		21.9 kgs.	Right Hand Flush	12.9 kgs.	705 mm	394 mm	756 mm	291 mm	415 mm	140mm	15 mm	434 mm

Warranty

One Year Warranty. See warranty information for more details.



All dimensions listed are nominal. HD Supply_{sm} reserves the right to change or modify products without prior notification and is not responsible for the use of superseded or voided specification sheets.



Contact your HD Supply sales representative for more information or visit our website at plumbing-hvac.hdsupply.com