

# Band Hanger

## Product Features

- Size Range: ½" through 8"
- Material: Carbon steel
- Finish: Galvanized
- Maximum Temperature: 650° F
- Threads are countersunk so that they cannot become burred or damaged.
- Knurled swivel nut provides vertical adjustment after piping is in place.
- Captured swivel nut in the ½" through 6" sizes. The capture is permanent in the bottom portion of the band, allowing the hanger to be opened during installation if desired, but not allowing the nut to fall completely out.



## Certifications

- Approvals: Complies with Federal Specification A-A-1192A (Type 10) WW-H-171-E (Type 10), ANSI/MSS SP-69 and MSS SP-58 (Type 10). UL Listed and FM Approved (Sizes ¾" - 8").

Caution: The acceptability of galvanized coatings at temperatures above 450°F is at the discretion of the end user.



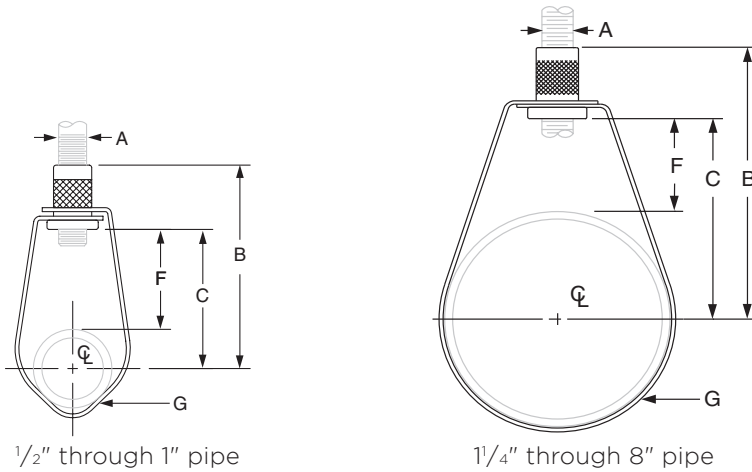
## Warranty

See warranty information for more details

All dimensions listed are nominal. MAINLINE® reserves the right to make product and material changes at any time without notice.



# Band Hanger



## Band Hanger: Loads (LBS) • Weights (LBS) • Dimensions (IN)

Pipe Size	✓ To Submit	Part No.	Max Load	Weight	A Rod Size	B	C	F	G Width
1/2" - 1"		ML37156	300	0.10	3/8	See Table Below for Dimensions			5/8
1 1/4"		ML37157	300	0.10	3/8	2 5/8	1 3/4	7/8	5/8
1 1/2"		ML37158	300	0.10	3/8	2 3/4	1 7/8	7/8	5/8
2"		ML37159	300	0.11	3/8	3 1/4	2 3/8	1 1/8	5/8
2 1/2"		ML37160	525	0.20	3/8	4	2 3/4	1 5/16	3/4
3"		ML37161	525	0.20	3/8	3 13/16	2 15/16	1 3/16	3/4
4"		ML37163	650	0.30	3/8	4 11/16	3 13/16	1 9/16	3/4
5"		ML37165	1,000	0.54	1/2	5 5/16	4 3/8	1 9/16	3/4
6"		ML37166	1,000	0.65	1/2	6 11/16	5 9/16	2 1/4	3/4
8"		ML37167	1,000	1.00	1/2	8	7	2 11/16	1

## Band Hanger: Dimensions (IN)

Pipe Size	B	C	F
1/2"	2 7/8	2	1 9/16
3/4"	2 3/4	1 7/8	1 5/16
1"	2 9/16	1 11/16	1

All dimensions listed are nominal. MAINLINE® reserves the right to make product and material changes at any time without notice.



# Band Hanger – Copper

## Product Features

- Size Range: ½" through 4"
- Material: Carbon steel
- Finish: Copper plated
- Threads are countersunk so that they cannot become burred or damaged.
- Knurled swivel nut provides vertical adjustment after piping is in place.
- Captured swivel nut will not fall off.

## Certifications

- Approvals: Complies with Federal Specification A-A-1192A (Type 10), WW-H-171-E (Type 10), ANSI/MSS SP-69 and MSS SP-58 (Type 10).



## Warranty

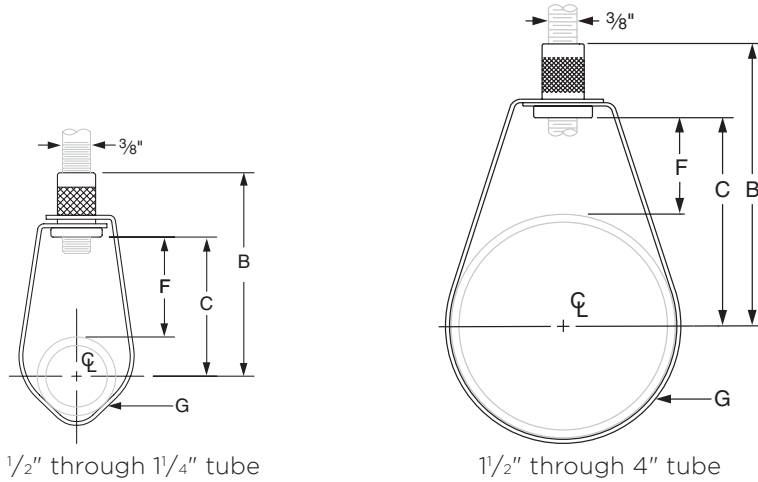
See warranty information for more details

All dimensions listed are nominal. MAINLINE® reserves the right to make product and material changes at any time without notice.

**Proudly Made  
in the U.S.A.**

**MAINLINE®**

# Band Hanger – Copper



## Band Hanger – Copper: Loads (LBS) • Weights (LBS) • Dimensions (IN)

Tube Size	✓ To Submit	Part No.	Max Load	Weight	B	C	F	G Width
1/2" - 1 1/4"		ML37182	300	0.10	See Table Below for Dimensions			5/8
1 1/2"		ML37183	300	0.10	2 11/16	1 13/16	1	5/8
2"		ML37184	300	0.11	3 7/16	2 1/2	1 1/2	5/8
2 1/2"		ML37185	525	0.25	3 13/16	2 15/16	1 11/16	3/4
3"		ML37186	525	0.27	4 1/4	3 3/8	1 7/8	3/4
4"		ML37187	650	0.48	4 3/8	3 1/2	1 1/2	3/4

## Band Hanger – Copper: Dimensions (IN)

Tube Size	B	C	F
1/2"	3	2 3/16	1 7/8
3/4"	2 13/16	2	1 9/16
1"	2 11/16	1 13/16	1 1/4
1 1/4"	2 1/2	1 5/8	1 5/16

All dimensions listed are nominal. MAINLINE® reserves the right to make product and material changes at any time without notice.



# Felt Lined Band Hanger

## Product Features

- Size Range: ½" through 4" copper tube
- Material: Carbon steel
- Finish: Galvanized
- Maximum Temperature: 120° F
- Recommended for the suspension of non-insulated stationary copper tubing. The layer of felt separates the copper tubing from the steel hanger for electrolytic resistance and also minimizes noise and vibration.
- Threads are countersunk so that they cannot become burred or damaged.
- Knurled swivel nut provides vertical adjustment after piping is in place.
- The captured swivel nut is permanent in the bottom portion of the band, allowing the hanger to be opened during installation if desired, but not allowing the nut to fall completely out.



## Certifications

- Approvals: Complies with Federal Specification A-A-1192A (Type 10) WW-H-171-E (Type 10), ANSI/MSS SP-69 and MSS SP-58 (Type 10).

## Warranty

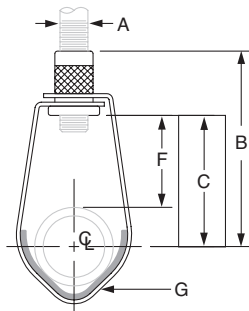
See warranty information for more details

All dimensions listed are nominal. MAINLINE® reserves the right to make product and material changes at any time without notice.

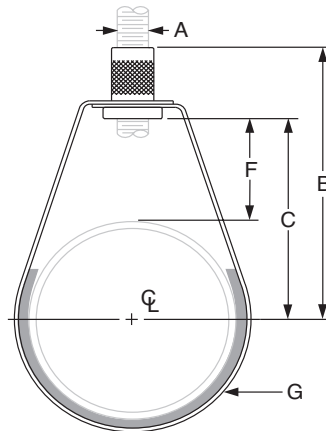


# Felt Lined Band Hanger

## Felt Lined Band Hanger: IPS Sizing • Dimensions (IN)



1/2" & 3/4" tube  
1/2" through 1" Felted Hanger



1" through 4" tube  
1/4" through 4" Felted Hanger

Pipe Size	Felted Hanger Size
1/2"	1/2- 1
3/4"	1 1/4
1"	1 1/4
1 1/4"	2
1 1/2"	2
2"	2 1/2
2 1/2"	3
3"	4

## Felt Lined Band Hanger: Loads (LBS) • Weights (LBS) • Dimensions (IN)

Tube Size	Felted Hanger Size	✓ To Submit	Part No.	Max Load	Weight	A Rod Size	B	C	F	G Width
1/2"-3/4"	1/2"- 1"		ML37171	300	0.10	3/8	See Table Below for Dimensions			5/8
1", 1 1/4"	1 1/4"		ML37172	300	0.10	3/8	See Table Below for Dimensions			5/8
1 1/2"	1 1/2"		ML37173	300	0.10	3/8	2 7/8	2	1 1/16	5/8
2"	2"		ML37174	300	0.11	3/8	3 5/16	2 7/16	1 1/4	5/8
2 1/2"	2 1/2"		ML37175	525	0.20	3/8	3 11/16	2 13/16	1 3/8	3/4
3"	3"		ML37176	525	0.20	3/8	3 7/8	3	1 5/17	3/4
4"	4"		ML37177	650	0.30	3/8	4 13/16	4	1 3/4	3/4

## Felt Lined Band Hanger: Dimensions (IN)

Tube Size	Felted Hanger Size	B	C	F
1/2"	1/2"- 1"	2 13/16	1 13/16	1 9/16
3/4"	1/2"- 1"	2 5/8	2 1/16	1 5/16
1"	1 1/4"	2 7/8	2 1/16	1 5/16
1 1/4"	1 1/4"	2 3/4	1 7/8	1 1/16

All dimensions listed are nominal. MAINLINE® reserves the right to make product and material changes at any time without notice.

