

# One Piece Gas Ball Valve

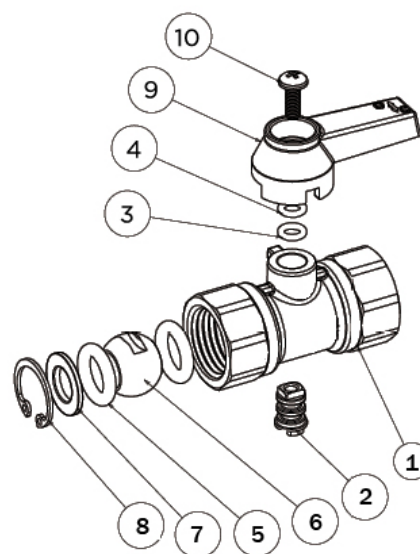
## Product Features

- 175# PSI
- 1-Piece Brass Body
- Threaded Ends
- ANSI Z21.15/CGA-9.1
- CSA 1/2, 2 & 5 PSI Approved



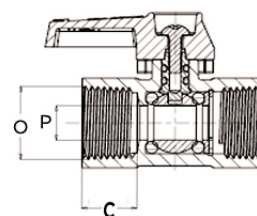
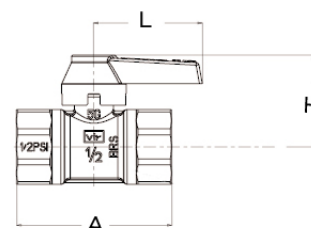
## Materials & Specifications

Item	Description	Material	Specification
1	Body	Brass	B283 C37700
2	Stem	Brass	B124 C37700
3	O-Ring Seal	FPM	FPM
4	O-Ring Packing	NBR	NBR
5	Seat	NBR	NBR
6	Ball	Brass/Chrome Plated	B124 C37700
7	Seat Washer	Brass	B124 C37700
8	Body Clip	Steel	C60 UN17064
9	Handle	Aluminum	B85-A03840
10	Handle Screw	Steel/Zinc Plated	A36



## Dimensions & Weights (inches-lbs.)

✓ To Submit	Part No.	Size	A	C	H	L	P	Wt.
	ML10606	1/2"	2.125	0.63	1.25	1.5	0.40	0.40
	ML10607	3/4"	2.26	0.63	1.34	1.5	0.55	0.60



### Warranty

See warranty information for more details

All dimensions listed are nominal. MAINLINE® reserves the right to make product and material changes at any time without notice.

