

One Piece Sch 40 PVC Ball Valve SF Series

Product Features

- 1/2" - 4"
- Threaded & Socket Ends
- EPDM Seat & Seal
- EPDM "O"-Ring
- Test pressure to 225 PSI
- 150 PSI working pressure



✓ To Submit	Part No. Socket	Size
	ML11682	1/2"
	ML11683	3/4"
	ML11684	1"
	ML11685	1 1/4"
	ML11686	1 1/2"
	ML11687	2"
	ML11688	3"
	ML11689	4"

✓ To Submit	Part No. Threaded	Size
	ML11690	1/2"
	ML11691	3/4"
	ML11692	1"
	ML11693	1 1/4"
	ML11694	1 1/2"
	ML11695	2"
	ML11696	3"
	n/a	4"

Warranty

See warranty information for more details

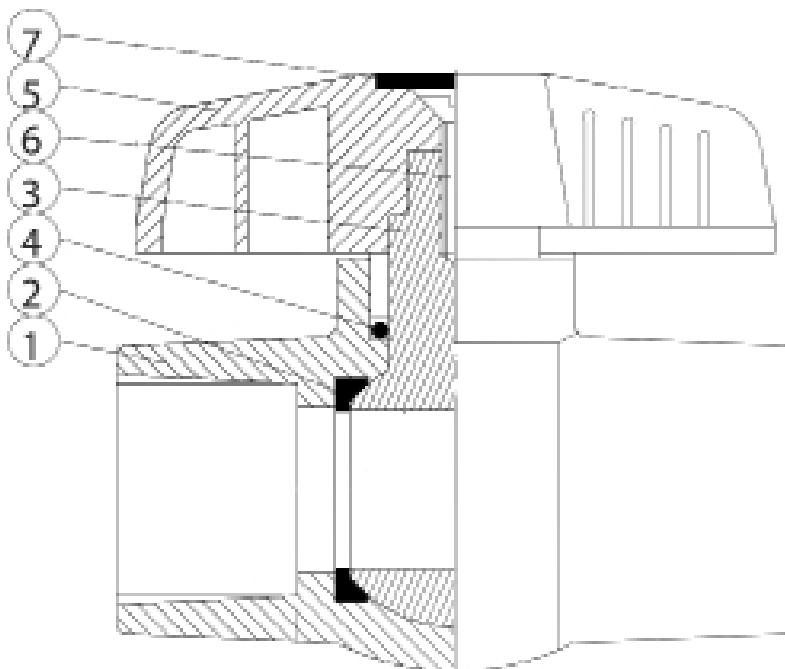
All dimensions listed are nominal. MAINLINE® reserves the right to make product and material changes at any time without notice.



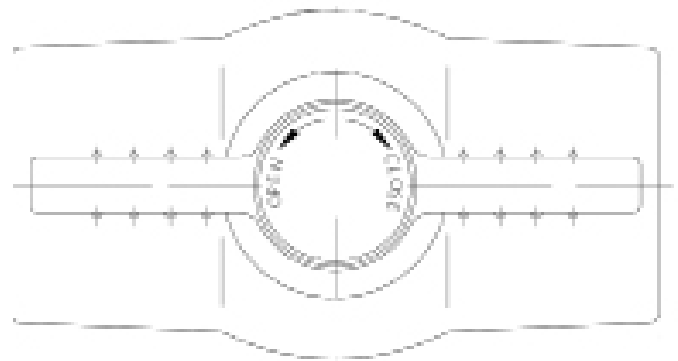
One Piece Sch 40 PVC Ball Valve SF Series

Materials Specifications

No.	Part	Material	Qty
1	Body	PVC	1
2	Seat	EPDM	2
3	Ball	PVC	1
4	O-Ring	EPDM	1
5	Handle	ABS	1
6	Bolt	Zinc-Plated Steel	1
7	Cap	ABS	1



SIDE VIEW



TOP VIEW

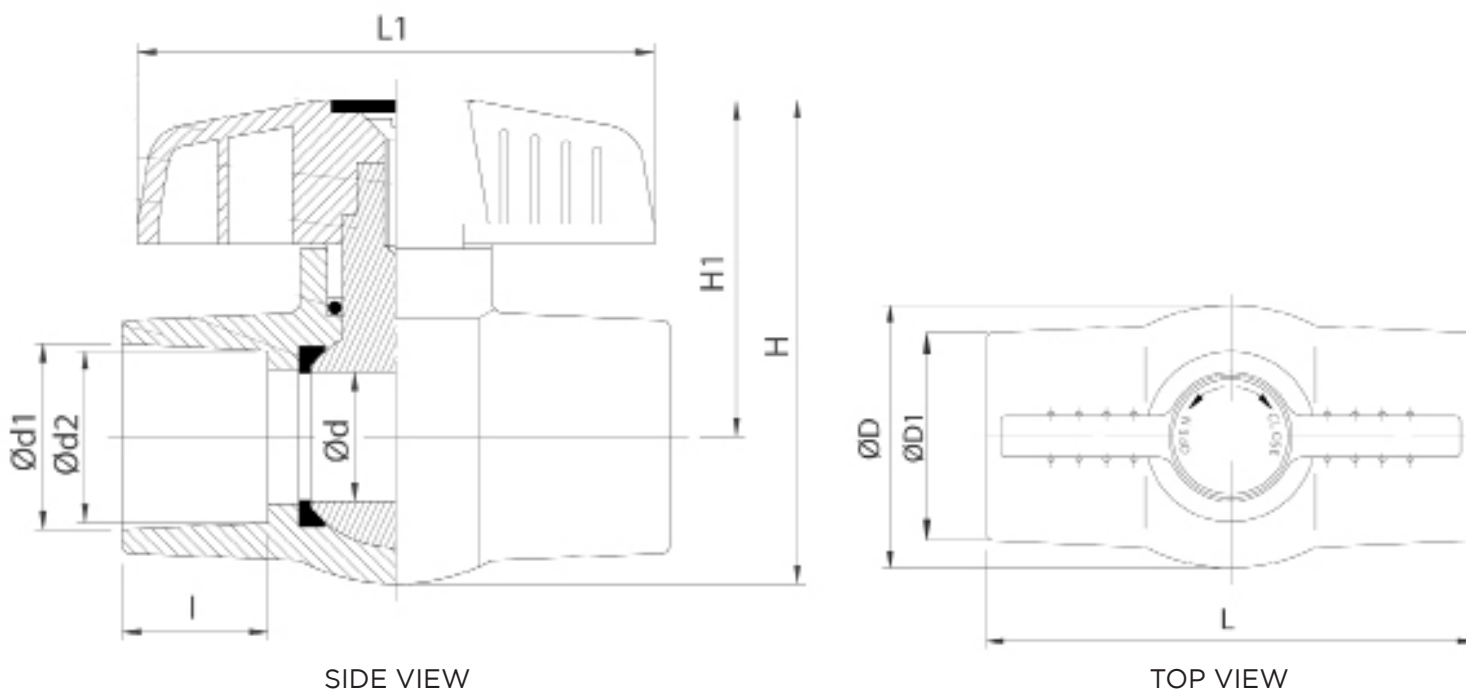
All dimensions listed are nominal. MAINLINE® reserves the right to make product and material changes at any time without notice.



One Piece Sch 40 PVC Ball Valve SF Series

Dimensions

Size.	Part No. Socket	d2 (ANSI)	d1 (ANSI)	Part No. Threaded	thd/in (NPT)	d	D1	L	L1	I	D	H1	H
1/2"	ML11682	0.84	0.85	ML11690	14	0.55	1.18	3.27	2.76	0.75	2.44	1.69	1.50
3/4"	ML11683	1.05	1.06	ML11691	14	0.79	1.50	3.74	3.46	0.79	3.07	2.13	1.93
1"	ML11684	1.31	1.32	ML11692	11.5	0.98	1.77	4.17	3.94	0.94	3.66	2.56	2.24
1 1/4"	ML11685	1.66	1.67	ML11693	11.5	1.18	2.13	4.49	3.94	1.00	3.86	2.64	2.48
1 1/2"	ML11686	1.89	1.91	ML11694	11.5	1.42	2.44	5.12	4.29	1.16	4.53	3.07	2.95
2"	ML11687	2.37	2.38	ML11695	11.5	1.83	3.03	5.79	5.28	1.22	5.31	3.50	3.62
3"	ML11688	3.50	3.52	ML11696	8	3.03	4.17	9.02	8.82	1.88	7.48	4.88	5.24
4"	ML11689	4.50	4.52	n/a	8	3.98	5.31	11.81	10.87	2.25	9.17	5.83	6.69



All dimensions listed are nominal. MAINLINE® reserves the right to make product and material changes at any time without notice.

