

Brass Ball Valves - Solder



PRODUCT FEATURES

- Sizes 1/2" - 3"
- 150# WSP / 600# WOG
- Full Port
- Solder Ends
- Forged Brass Body
- Blowout Proof Stem
- NSF through 2"
- MSS-SP-110 on 2-1/2" & 3"
- Adjustable Packing

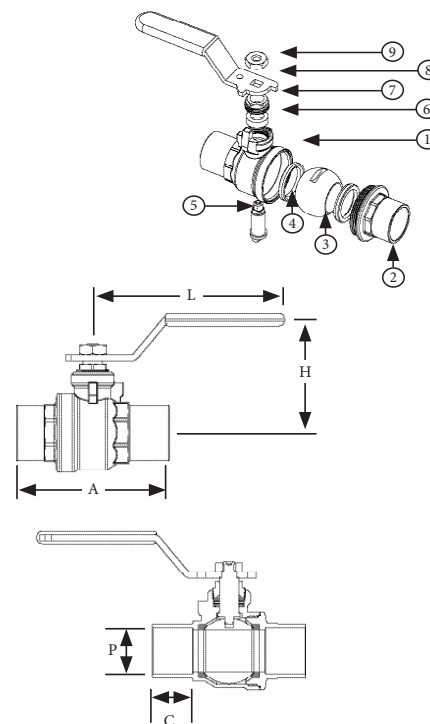
Materials & Specifications

Pressure/Temperature Ratings	
600 PSI from 15°F to 160°F	150 PSI MAX at 366°F

Solder used in joints	Working Temp. (°F)	Maximum working pressure (PSI)		
		3/8" - 1"	1 1/4" - 2"	2 1/2" - 3"
95-5 Tin Antimony (ASTM B32 grade 95TA)	100	500	400	300
	150	400	350	275
	200	300	250	200
	250	200	175	150

Item	Description	Material	Specification	
			Standard	ULL
1	Body	Brass	B283 C37700	CW510L
2	End Piece	Brass	B283 C37700	CW510L
3	Ball	Brass/Chrome Plated	B283 C37700	B124 C37700
4	Seat	PTFE	PTFE	
5	Stem	Brass	B124 C37700	CW510L
6	Packing	PTFE	PTFE	
7	Packing Nut	Brass	B124 C37700	A36 Dacromet
8	Handle	Zinc plated steel	A36 Dacromet	A36
9	Handle Nut	Zinc plated steel	A36 Dacromet	

✓ To Submit	Part No.	Size	A	C	H	L	P	Cv	Weight (lbs.)
	ML10061	1/2"	0.627 - 0.631	0.51	2.13	3.60	0.59	15	0.4
	ML10062	3/4"	0.877 - 0.881	0.75	2.26	3.60	0.79	30	0.6
	ML10063	1"	1.128 - 1.131	0.91	2.57	4.98	0.98	60	1
	ML10064	1 1/4"	1.378 - 1.381	0.97	2.79	4.98	1.26	110	1.4
	ML10065	1 1/2"	1.628 - 1.632	1.09	3.28	5.57	1.57	130	2.4
	ML10066	2"	2.128 - 2.132	1.34	3.58	5.57	1.97	360	3.4
	ML10067	2 1/2"	2.628 - 2.632	1.50	4.68	11.07	2.56	450	7.48
	ML10068	3"	3.128 - 3.132	1.69	5.13	11.07	3.07	620	11.31
	ML11524	1/2"	0.627 - 0.631	0.51	2.11	3.60	0.59	15	0.45
	ML11525	3/4"	0.877 - 0.881	0.75	2.24	3.60	0.79	30	0.65
	ML11526	1"	1.128 - 1.131	0.91	2.56	4.98	0.98	60	1.04
	ML11527	1 1/4"	1.378 - 1.381	0.98	2.78	4.98	1.26	110	1.58
	ML11528	1 1/2"	1.628 - 1.632	1.09	3.27	5.57	1.57	130	2.52
	ML11529	2"	2.128 - 2.132	1.34	3.57	5.57	1.97	360	3.52
	ML11530	2 1/2"	2.628 - 2.632	1.50	4.68	11.07	2.56	450	7.48
	ML11531	3"	3.128 - 3.132	1.69	5.13	11.07	3.07	620	11.31



Certified to ANSI/NSF 61

Denotes product is Ultra Low Lead - AB1953 compliant

Warranty

See warranty information for more details

All dimensions listed are nominal. MAINLINE® reserves the right to make product and material changes at any time without notice.

