

Brass Swing Check Valves - Solder



PRODUCT FEATURES

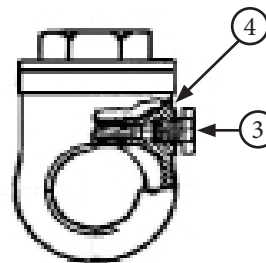
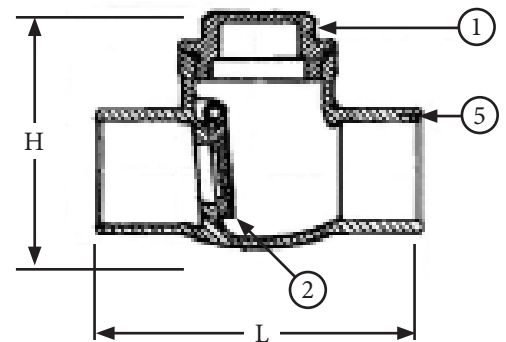
- Sizes Range From 1/2" - 2"
- 200# WOG
- Brass Body
- Solder Ends
- Horizontal "T" Pattern
- Brass Seats
- 450° F Max Temperature

MATERIALS & SPECIFICATIONS

Item	Description	Material	Specification
1	Cap	Brass	B584 C85400
2	Disc	Brass	B584 C85400
3	Lock Bolt	Brass	B16-C36000
4	Pin	Brass	B124 C37700
5	Body	Brass	B584 C85400

Pressure/Temperature Ratings	
200# WOG	450° F max temp.

✓ To Submit	Part No.	Size	H	L	Weight (lbs.)	
	ML10093	1/2"	2.1	2.4	0.42	
	ML10094	3/4"	2.3	3.2	0.62	
	ML10095	1"	2.6	3.5	0.96	
	ML10096	1 1/4"	3	4.2	1.40	
	ML10097	1 1/2"	3.4	4.6	1.90	
	ML10098	2"	4.2	5.5	2.90	
	ML11557	1/2"	1.65	2.6	0.35	🔥
	ML11558	3/4"	1.97	3.39	0.87	🔥
	ML11559	1"	2.28	4.09	1.33	🔥
	ML11560	1 1/4"	2.71	4.72	2.04	🔥
	ML11561	1 1/2"	3.19	5.35	2.80	🔥
	ML11562	2"	3.86	6.69	4.78	🔥



🔥 Denotes product is Ultra Low Lead - AB1953 compliant

Warranty
See warranty information for more details

All dimensions listed are nominal. MAINLINE® reserves the right to make product and material changes at any time without notice.

