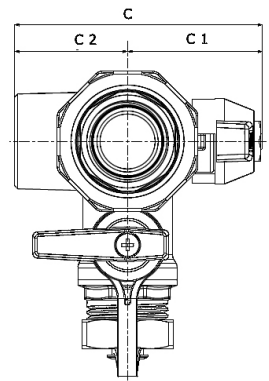
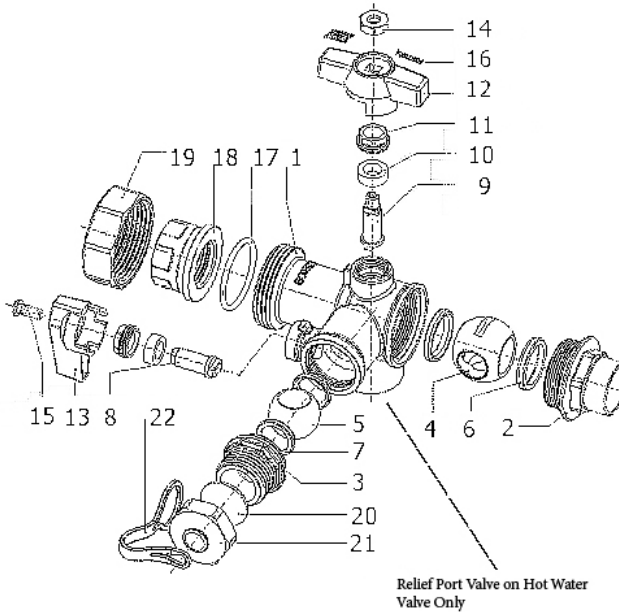


Tankless Water Heater Valve Kits

Product Features

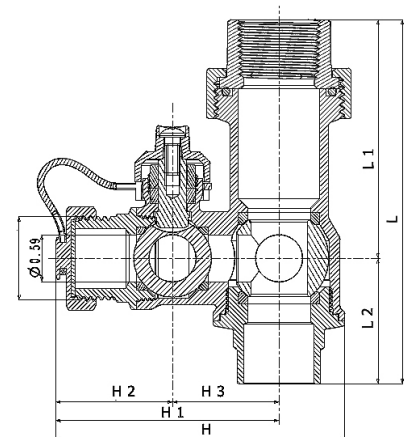
- Forged Brass Construction
- 600# WOG Rating (non-shock)
- Full Port 1/4 Turn Operation
- Adjustable Packing
- Blow-Out Proof Stem
- Integral Hose End Drain/Purge Valve
- FNPT x Solder Ends
- Integral Relief Valve Port
- Hot and Cold Valve Operation

Item	Description	Material	Specification
1	Body	Brass	B283 C37700
2	End Cap	Brass	B283 C37700
3	End cap	Brass	B283 C37700
4	Ball	Brass Chrome Plated	B124 C37700
5	Ball	Brass Chrome Plated	B124 C37700
6	Seat	PTFE	PTFE
7	Seat	PTFE	PTFE
8	Stem	Brass	B124 C37700
9	Stem	Brass	B124 C37700
10	Packing	PTFE	PTFE
11	Packing Nut	Brass	B124 C37700
12	Red T-Handle	Aluminum	ASTM B85
13	Red L-Handle	Aluminum	ASTM B85
14	Handle Nut	Steel Zinc Plated	ASTM A36
15	Handle Screw	Steel Zinc Plated	ASTM A36
16	Logo	-	-
17	O-ring	EPDM Perox	NSF Approved
18	Union	Brass	B283 C37700
19	Union Nut	Brass	B283 C37700
20	Drain Gasket	EPDM Perox	NSF Approved
21	Drain Cap	Brass	B124 C37700
22	Cap Retainer	Rubber	-



Dimensions, Weights (inches - lbs.) & Valve Data

Size		C	C1	C2	H	H1	H2	H3	L	L1	L2	Cv	WT.
3/4"	Hot	N/A	1.74	1.22	3.62	2.8	1.46	1.34	4.57	2.99	1.57	30	1.75
	Cold	3.2	1.74	1.46	3.62	2.8	1.46	1.34	4.57	2.99	1.57	30	1.85



✓ To Submit	Part No.	Description	
	ML11258	3/4" FIP Tankless Wtr Htr Kit w/200K Relief Valve	
	ML11259	3/4" FIP Tankless Wtr Htr Kit w/200K Relief Valve	🔥
	ML11260	3/4" SWT Tankless Wtr Htr Kit w/200K Relief Valve	
	ML11261	3/4" SWT Tankless Wtr Htr Kit w/200K Relief Valve	🔥

🔥 Denotes product is Ultra Low Lead - AB1953 compliant

Warranty

See warranty information for more details

All dimensions listed are nominal. MAINLINE® reserves the right to make product and material changes at any time without notice.

