

# Two Piece Gas Ball Valve

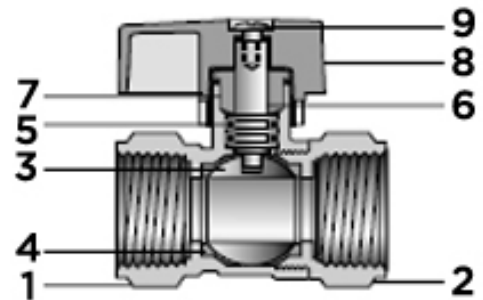
## Product Features

- 175# PSI
- 2-Piece Brass Body
- Threaded Ends
- CSA 1/2 & 5 PSI Approved
- UL 175 PSI Approved
- ANSI Z.21.15



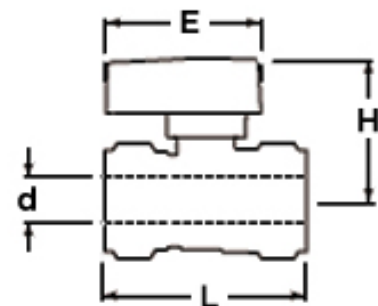
## Materials & Specifications

Item	Description	Material	Specification
1	Body	Brass	B283 C37700
2	End Piece	Brass	B283 C37700
3	Ball	Brass/Chrome Plated	B283 C37700
4	Seat	PTFE	PTFE
5	Stem	Brass	B124 C37700
6	O-Ring Packing	NBR	NBR
7	Packing Nut	Brass	B124 C37700
8	Handle	Aluminum	B85
9	Handle Bolt	Brass	B16 C36000



## Dimensions, Weights (inches-lbs.) & Valve Data

✓ To Submit	Part No.	Size	d	E	H	L	Wt.- lbs.
	ML10608	1/2"	0.39	2	1.5	0.55	0.38
	ML10609	3/4"	0.55	2	1.6	0.59	0.61
	ML10610	1"	0.95	2	1.9	0.70	0.81



### Warranty

See warranty information for more details

All dimensions listed are nominal. MAINLINE® reserves the right to make product and material changes at any time without notice.

