

ADA Wall Mount Lavatory

Product Features

- Rear Overflow
- Single, 4" or 8" Faucet Center
- Mounting Bracket and Hardware Included
- Drilled for Concealed Arm Carrier
- ADA Compliant



Overall Dimensions & Weight

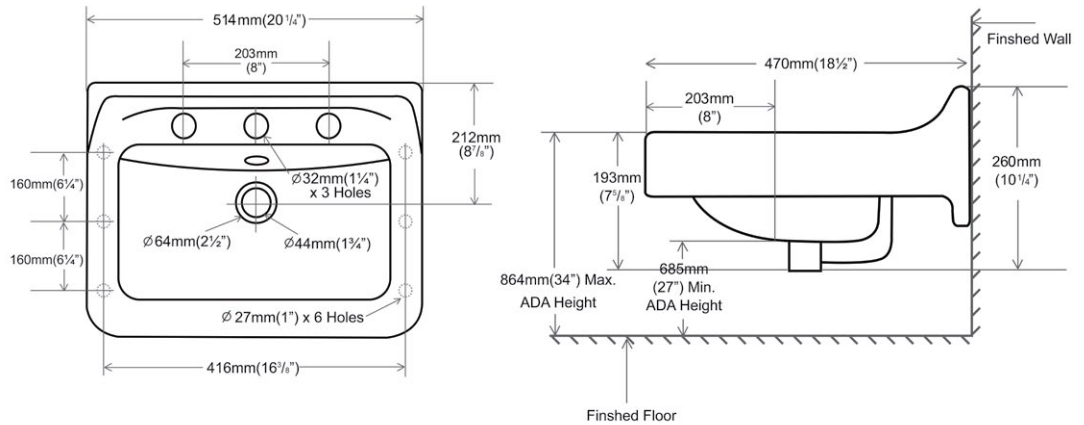
- 20-1/4"(W) x 18-1/2"(D) x 10-1/4"(H)
- 37 lbs

Certifications

- IAPMO cUPC
- ASME A112.19.2
- CSA B45.1-2008
- ANSI A117.1

Carrier

- 19" concealed arm support as required to be furnished by others



✓ To Submit	Part No.	Description	A
	MLS10406	8" Center ADA Wall Mount Lavatory	8" (203 mm)
	MLS10407	4" Center ADA Wall Mount Lavatory	4" (102 mm)
	MLS10408	Single Center ADA Wall Mount Lavatory	N/A

Warranty

1 Year Limited Warranty. See warranty information for more details.



All dimensions listed are nominal. MAINLINE® reserves the right to make product and material changes at any time without notice.

Contact your sales representative for more information or visit our website at mainlinecollection.com