

Steel Side Beam Bracket SF Series

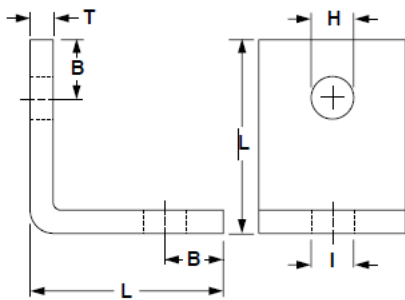
Product Features

- Size Range: 3/8" or 1/2"
- Material: Carbon steel
- Finish: Plain



Certifications

- Approvals: Complies with Federal Specification A-A-1192A (Type 34), WW-H-171-E (Type 35) and ANSI/MSS SP-69 and MSS SP-58 (Type 34).



Steel Side Beam Bracket: Loads (LBS) • Weights (LBS) • Dimensions (IN)

Rod Size A	✓ To Submit	Part No. Plain	Max Loads		Weight	L	B	Hole Size		T
			With Lag Screw	With Bolt to Steel				H	I	
3/8" or 1/2"		ML36949	650	1,150	0.44	2 1/16	5/8	7/16	9/16	1/4

Warranty

See warranty information for more details

All dimensions listed are nominal. MAINLINE® reserves the right to make product and material changes at any time without notice.



Threaded Steel Side Beam Bracket SF Series

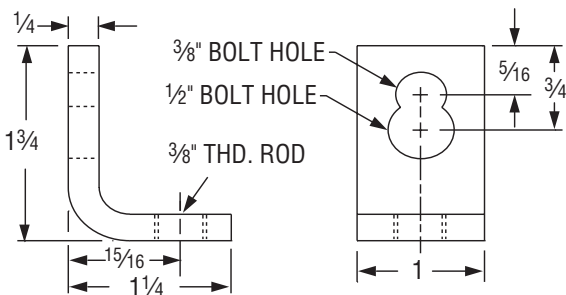
Product Features

- Size: 3/8"
- Material: Carbon steel
- Finish: Plain
- Threaded mounting bracket provides an economical, practical and adjustable means of securing hangers to beams.



Certifications

- Approvals: Complies with Federal Specification A-A-1192A (Type 34), WW-H-171-E (Type 35), ANSI/MSS SP-69 and MSS SP-58 (Type 34).
UL Listed (with rod size 3/8"). FM Approved (with rod size 3/8" & steel beam only)



Threaded Steel Side Beam Bracket: Loads (LBS) • Weights (LBS) • Dimensions (IN)

Rod Size A	✓ To Submit	Part No. Plain	Bolt Size	Max Loads		Weight
				With Lag Screw	With Bolt to Steel	
3/8"		ML36952	3/8"	400	620	0.17
			1/2"	560	620	



(UL Listed with rod size 3/8")

(FM Approved with rod size 3/8" & steel beam only)

Warranty

See warranty information for more details

All dimensions listed are nominal. MAINLINE® reserves the right to make product and material changes at any time without notice.



Iron Side Beam Connector SF Series

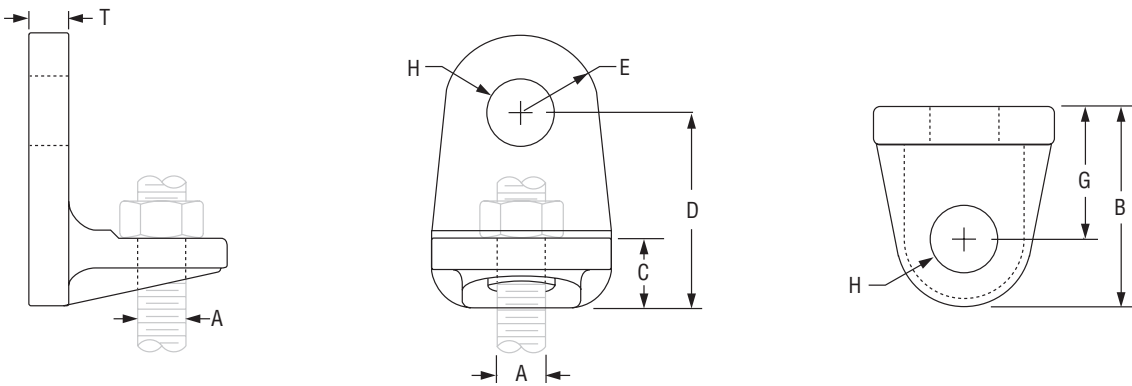
Product Features

- Size: 3/8"
- Material: Malleable iron
- Finish: Plain
- An economical, practical and adjustable means of securing hangers to beams, etc.



Certifications

- Approvals: Complies with Federal Specification A-A-1192A (Type 34) WW-H-171-E (Type 35), ANSI/MSS SP-69 and MSS SP-58 (Type 34).



Iron Side Beam Connector: Loads (LBS) • Weights (LBS) • Dimensions (IN)

Rod Size A	✓ To Submit	Part No. Plain	Max Loads ■		Weight	B	C	D	E	Hole Dia. H	G	T
			With Lag Screw	With Bolt to Steel								
3/8"		ML36953	390	730	0.26	1 3/8	5/8	1 7/16	17/32	7/16	7/8	1/4

■ Maximum temperature of 450° F

Warranty

See warranty information for more details

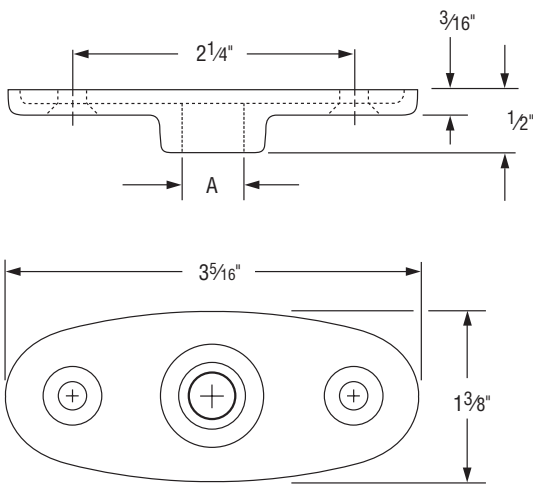
All dimensions listed are nominal. MAINLINE® reserves the right to make product and material changes at any time without notice.



Rod Hanger Ceiling Flange SF Series

Product Features

- Size: 3/8"
- Material: Malleable iron
- Finish: Plain or Galvanized



Rod Hanger Ceiling Flange: Loads (LBS) • Weights (LBS) • Dimensions (IN)

Rod Size A	✓ To Submit	Part No. Plain	Part No. Galv.	✓ To Submit	Max Load	Weight	Screws	
							Quantity	Size No.
3/8		ML36954	ML36955		180	0.16	2	12

Warranty

See warranty information for more details

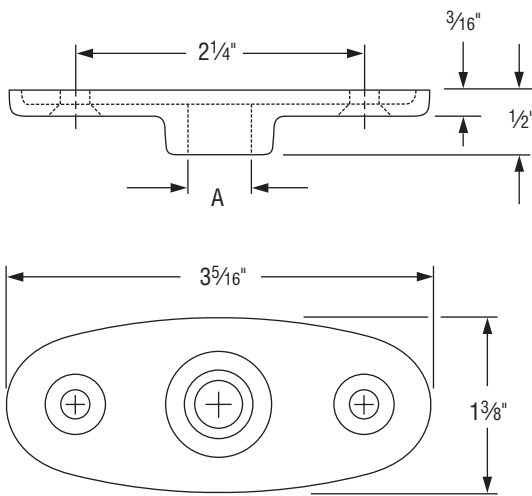
All dimensions listed are nominal. MAINLINE® reserves the right to make product and material changes at any time without notice.



Rod Hanger Ceiling Flange - Copper SF Series

Product Features

- Size: 3/8"
- Material: Malleable iron
- Finish: Copper-colored Epoxy



Ceiling Flange - Copper: Loads (LBS) • Weights (LBS) • Dimensions (IN)

Rod Size A	✓ To Submit	Part No.	Max Load	Weight	Screws	
					Quantity	Size No.
3/8		ML36956	180	0.16	2	12

Warranty

See warranty information for more details

All dimensions listed are nominal. MAINLINE® reserves the right to make product and material changes at any time without notice.



Insulation Shield SF Series

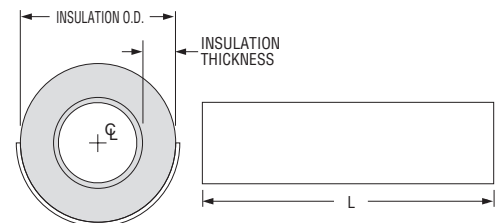
Product Features

- Size Range: ½" through 6" pipe with up to 2" thick insulation and 8" pipe with 1" thick insulation
- Material: Carbon steel
- Finish: Galvanized

Certifications

- Approvals: Complies with Federal Specification A-A-1192A (Type 40), WW-H-171-E (Type 41), ANSI/MSS SP-69 and MSS SP-58 (Type 40).

How to size: Refer to "shield size selection table" on page 2 of 2.



Insulation Shield: Weights (LBS) • Dimensions (IN)

Shield Size	✓ To Submit	Part No. Galv.	Weight	Stock Size	L	Insulation OD	Standard Clevis Hanger
1A		ML36957	0.7	18 Ga.	12	2.38	2
2A		ML36958	0.8	18 Ga.	12	2.88	2½
3A		ML36959	1.0	18 Ga.	12	3.50	3
4A		ML36960	1.1	18 Ga.	12	4.00	3½
5A		ML36961	1.3	18 Ga.	12	4.50	4
6A		ML36962	1.4	18 Ga.	12	5.00	5■
7A		ML36963	1.6	18 Ga.	12	5.56	5
8A		ML36964	1.9	16 Ga.	12	6.64	6
9A		ML36965	2.7	16 Ga.	12	7.64	8■
10A		ML36966	3.1	16 Ga.	12	8.64	8
10B		ML36968	4.6	16 Ga.	18	8.64	8
11B		ML36969	5.1	16 Ga.	18	9.64	10■
12B		ML36970	5.6	16 Ga.	18	10.76	10

■ This shield fits loosely inside a standard clevis hanger. To be used properly, the standard clevis hanger requires a clevis bolt spacer.

Warranty

See warranty information for more details

All dimensions listed are nominal. MAINLINE® reserves the right to make product and material changes at any time without notice.



Insulation Shield SF Series

Shield Size Selection for Nominal Pipe Size

Pipe Size	Insulation Thickness				
	1/2"	3/4"	1"	1 1/2"	2"
1/2"	1A	1A	–	–	–
3/4"	1A	2A	3A	4A	6A
1"	1A	2A	3A	5A	7A
1 1/4"	2A	3A	4A	6A	7A
1 1/2"	2A	3A	4A	6A	8A
2"	3A	4A	5A	7A	8A
2 1/2"	4A	5A	6A	8A	9A
3"	5A	6A	7A	8A	9A
3 1/2"	–	–	8A	9A	10A
4"	–	–	8A	9A	10A
5"	–	–	–	10B	11B
6"	–	–	10B	11B	12B
8"	–	–	12B	–	–

Shield Size Selection for Copper Tubing

Tube Size	Insulation Thickness				
	1/2"	3/4"	1"	1 1/2"	2"
3/8"	–	1A	2A	3A	5A
1/2", 5/8", 3/4"	–	1A	2A	4A	6A
1", 1 1/4"	1A	2A	3A	5A	7A
1 1/2"	2A	3A	4A	6A	8A
2"	3A	4A	5A	7A	8A
2 1/2"	4A	5A	6A	8A	8A
3"	5A	6A	7A	8A	9A
3 1/2"	6A	7A	8A	8A	9A
4"	7A	8A	8A	9A	10A
5"	8A	8A	9A	10A	11B
6"	9A	9A	10A	11B	12B
8"	11B	11B	12B	–	–

Note: As actual foam or fiber glass insulation thicknesses vary, verify that the radius of the selected shield is suitable for the required application. Shields are designed for a maximum span of ten feet on 15 P.S.I. compressive strength insulation. For compressive strengths greater than 15 P.S.I., spans may be increased proportionately up to maximum allowable for steel pipe. Refer to MSS-SP-69 for specific guidelines on compressive strength and maximum span.

All dimensions listed are nominal. MAINLINE® reserves the right to make product and material changes at any time without notice.



Beam Clamp Retaining Strap SF Series

Product Features

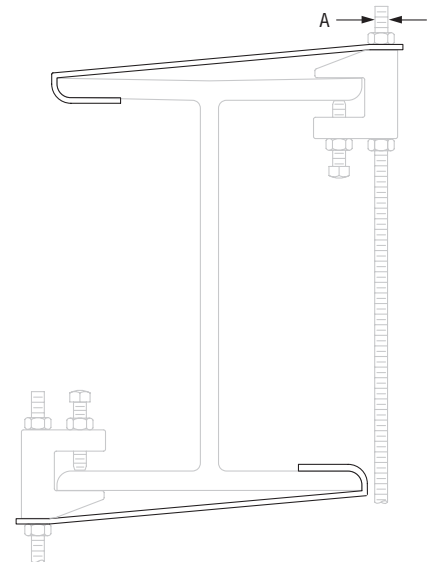
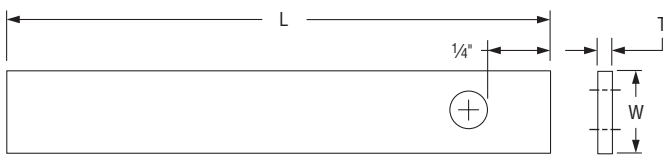
- Size: 3/8"
- Material: Carbon steel
- Finish: Plain



Certifications

- Approvals: Complies with MSS-SP-127.

Caution: Length of strap should be adequate to allow at least 1" of strap to be bent over the beam side of the flange opposite the side the beam clamp is mounted on.



Beam Clamp Retaining Strap: Loads (LBS) • Weights (LBS) • Dimensions (IN)

Rod Size A	✓ To Submit	Part No.	Weight	Width W	T	Length L
3/8"		ML36971	0.24	1	0.058	14

Warranty

See warranty information for more details

All dimensions listed are nominal. MAINLINE® reserves the right to make product and material changes at any time without notice.



Weldless Eye Nut SF Series

Product Features

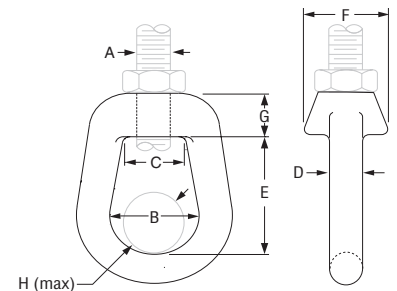
- Size: 7/8"
- Material: Forged steel
- Finish: Galvanized
- Supports loads equal to the full limitation of the hanger rod.
- Provides flexible connection when used with straight thread rod.



Certifications

- Approvals: Complies with Federal Specification A-A-1192A (Type 17), WW-H-171-E (Type 17), ANSI/MSS SP-69 and MSS SP-58 (Type 17).

Caution: The acceptability of galvanized coatings at temperatures above 450°F is at the discretion of the end user.



Weldless Eye Nut: Loads (LBS) • Weights (LBS) • Dimensions (IN)

Rod Size A	✓ To Submit	Part No. Galv.	Max Loads		Weight	B	C	D	E	F	G	H	Eye Nut Number
			650° F	750° F									
7/8"		ML36993	4,480	3,508	1.70	2	1 ¹¹ / ₁₆	3/4	2 ⁵ / ₈	1 ¹⁵ / ₁₆	1	1 ³ / ₄	2

Warranty

See warranty information for more details

All dimensions listed are nominal. MAINLINE® reserves the right to make product and material changes at any time without notice.



Standard U-Bolt SF Series

Product Features

- Size Range: 2" through 12"
- Material: Carbon steel U-bolt and four finished hex nuts
- Finish: Plain or Galvanized

Certifications

- Approvals: Complies with Federal Specification WW-H-171-E (Type 24), MSS SP-69 (Type 24).

Caution: The acceptability of galvanized coatings at temperatures above 450°F is at the discretion of the end user.

Note: When the combination of a normal load and a side load occurs, a straight line interaction formula may be used to determine if the Standard U-Bolt is still within the allowable stress range: $P_n/P_{na} + P_s/P_{sa} \leq 1$

Where:

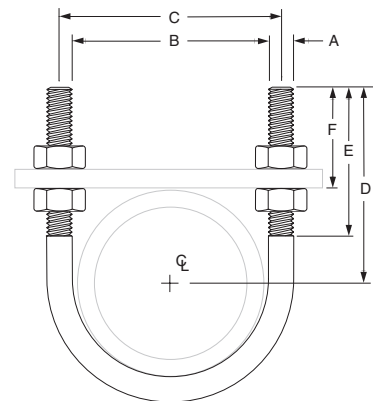
P_n = actual applied normal load;

P_{na} = allowable normal load for the Standard U-Bolt;

P_s = actual applied side load;

P_{sa} = allowable side load for the Standard U-Bolt

Nuts must be snug tight in installation to achieve side loads shown.



Standard U-Bolt: Loads (LBS) • Weights (LBS) • Dimensions (IN)

Pipe Size	Rod Size A	✓ To Submit	Part No. Plain	Part No. Galv.	✓ To Submit	Max Normal Load		650° F Max Side Load	Wt.	B	C	D	E	F
						650° F	750° F							
2"	3/8"		ML37001	ML36994		1,460	1,144	365	0.33	2 ⁷ / ₁₆	2 ¹³ / ₁₆	3 ¹ / ₄	2 ¹ / ₂	2 ¹ / ₁₆
3"	1/2"		ML37002	ML36995		2,700	2,114	675	0.78	3 ⁹ / ₁₆	4 ¹ / ₁₆	4	3	2 ¹ / ₄
4"	1/2"		ML37003	ML36996		2,700	2,114	675	0.90	4 ⁹ / ₁₆	5 ¹ / ₁₆	4 ¹ / ₂	3	2 ¹ / ₄
6"	5/8"		ML37004	ML36997		4,320	3,382	1,080	2.0	6 ³ / ₄	7 ³ / ₈	6 ¹ / ₈	3 ³ / ₄	2 ¹³ / ₁₆
8"	5/8"		ML37005	ML36998		4,320	3,382	1,080	2.3	8 ³ / ₄	9 ³ / ₈	7 ¹ / ₈	3 ³ / ₄	2 ¹³ / ₁₆
10"	3/4"		ML37006	ML36999		6,460	5,060	1,615	4.9	10 ⁷ / ₈	11 ⁵ / ₈	8 ³ / ₈	4	3
12"	7/8"		ML37007	ML37000		9,960	7,016	2,490	7.7	12 ⁷ / ₈	13 ³ / ₄	9 ⁵ / ₈	4	3 ¹ / ₄

Warranty

See warranty information for more details

All dimensions listed are nominal. MAINLINE® reserves the right to make product and material changes at any time without notice.

